

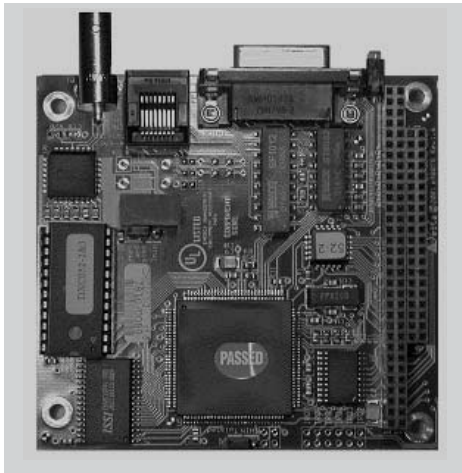
System Controller Components

DXC-052-2/052-3: V2 Ethernet Expansion Cards

Description

The DXC-052-2/052-3 Ethernet expansion cards allow a Version 2 (V2) Delta Control Unit (DCU-050) to connect to an Ethernet network of controllers and transmit and receive data at speeds of up to ten million bits per second.

The DXC052-3 provides a twisted pair (10-BaseT) connection only, while the DXC052-2 has connections for twisted pair, thin net and thick net cable types. Both cards can also communicate on a Fibre Optic (10-BaseF) Ethernet LAN via an appropriate third party transceiver. The DXC052-2 and the DXC052-3 are both easily connected to a V2 DCU using the PC/104 bus connection.



Application

The V2 PC/104 Ethernet Expansion card allows a V2 DCU to connect to an Ethernet network of BACnet controllers and transmit/receive data at speeds of up to 10 million bits per second.

Features

- Industry standard stackable PC/104 bus connection to the DCU-050
- Utilizes industry standard Ethernet protocol
- Co-exists in most standard network environments
- RJ45 connector for easy connection to the network using standard CAT5 twisted pair (10-BaseT) cables
- Optional BNC coax connector (RG58) for Thin net (10-Base2) wired networks
- Optional AUI DB15 connector for Thick net (10-Base5) wired networks
- Transmit and receive indicator lights

Specifications

Network Connections

Acceptable Ethernet media according to IEEE 802.3 standards

Twisted Pair (10-BaseT) with RJ45 connector

Thin Net (10-Base2) [DXC052-2 ONLY]

Thick Net (10-Base5) [DXC052-2 ONLY]

Power

Powered by the Delta Control Unit (DCU-050)

Wiring

Class 2

Ambient

32°F to 131°F (0°C to 55°C)

10% to 90% RH (non-condensing)

Dimensions

3.75 x 3.5 in. (8.9 x 9.5 cm)

0.3lb. (136 g)

Approvals/Standards

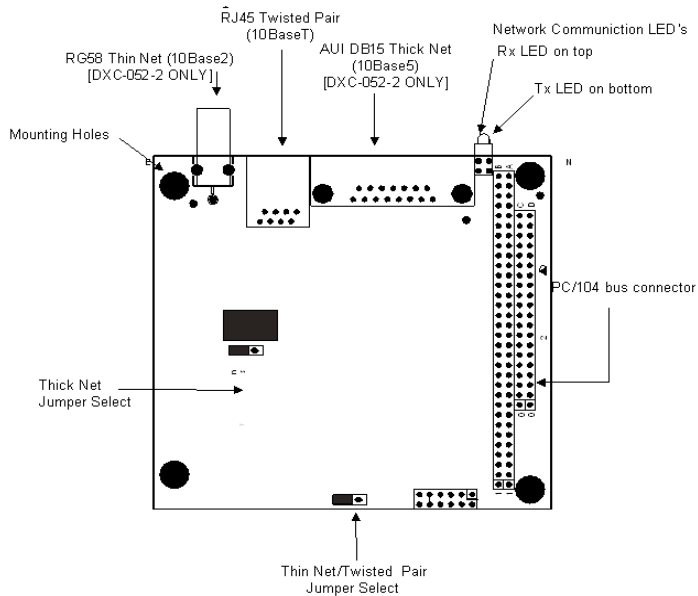
UL 916 Listed

CE

FCC

Document Edition 1.2 August 2004

System Controller Components DXC-052-2/052-3: Board Layout Diagram



Accessories

DCU-050R V2—Delta Control Unit w/ V2.92 Firmware

Ordering

Order the desired Ethernet expansion cards according to the following numbers:

DXC-052-2—RJ45 Twisted Pair Connector (10-BaseT),
RG58 Thin Net Connector (10-Base2), AUI DB15
Thick Net Connector (10-Base5), V2.92 Compatible

DXC-052-3—RJ45 Twisted Pair Connector (10-BaseT),
V2.92 Compatible

Note: If ordering an Ethernet expansion card for a DCU-050 running V3.22a, or newer, firmware, please see the V3 DCU PC/104 Ethernet Expansion Card Catalogue sheet product specifications and ordering options.