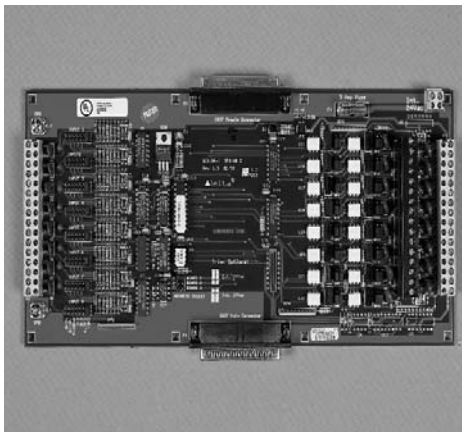


## System Controller Components

### DEB-10xx: DCU I/O Expansion Boards

#### Description

The Delta Control Unit (DCU) I/O Expansion Boards connect to the I/O Base Board (DBB-060) to increase the controller I/O capacity.



#### Features

- Provides additional universal inputs
- Provides additional binary, triac or analog outputs
- Red LEDs provide input status indication
- Green LEDs provide output status indication
- Jumper addressable
- Input selector blocks allow simple configuration of dry contact, voltage, current and resistive signal types, on an individual basis, for connecting any status or sensing device

#### Application

This I/O Expansion Board provides additional configurable universal inputs and outputs to the DBB-060. Each I/O Base Board allows up to three I/O Expansion Boards, of any type, per controller.

#### Specifications

##### Inputs

Universal inputs (12 bit)

Supporting 0-5 V, 0-10 V, 4-20 mA, 10k $\Omega$

LED status indication of each input

##### Outputs

Analog outputs (0 - 10 V)

Binary triac outputs 0.5 Amp @ 24AC

Green LED indication of each output

##### Power Requirements

Powered by the DCU-050 through the I/O Base Board (DBB-060)

Ground lugs provided for proper board grounding

##### Wiring

Class 2

##### Ambient

32°F to 131°F ( 0°C to 55°C)

10 to 90% RH (non-condensing)

##### Dimensions

11.7 x 5.7 x 0.7 in. (29.7 x 14.7 x 1.6 cm)

0.63 lb. (280 g)

##### Approvals/Standards

UL 916 Listed

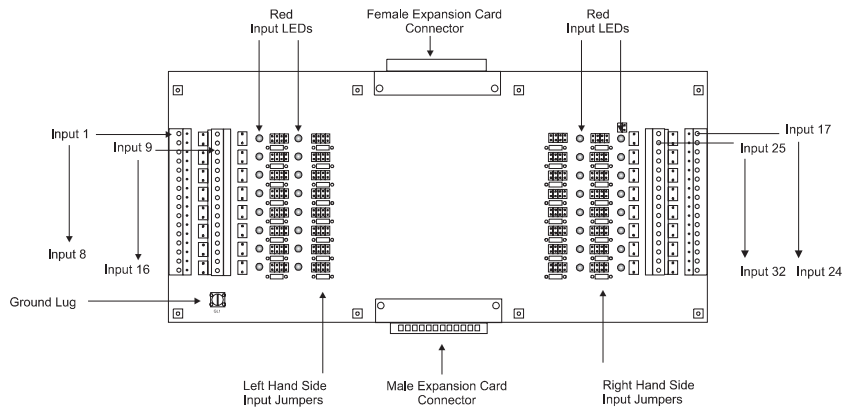
CE

FCC

Document Edition 1.2 August 2004

## System Controller Components DEB-10xx: Board Layout Diagram

Connection Diagram



### Associated Products

DCU-050—Delta Control Unit required for minimum system operation of the DEB-100-1, DEB-100-2, DEB-101, DEB-102

DBB-060—Delta Base I/O Board required for minimum system operation of the DEB-100-1, DEB-100-2, DEB-101, DEB-102

DPM-065-xx—Delta Plug-in Modules: DEB-102

### Ordering

Order the desired I/O Expansion Boards according to the following product numbers:

DEB-100-1—8 Input, 8 Output Expansion Board

DEB-100-2—8 Input, 16 Triac Output Expansion Board

DEB-101—32 Input Expansion Board

DEB-102—8 Input, 8 Output and 8 Plug-in Module support Expansion Board